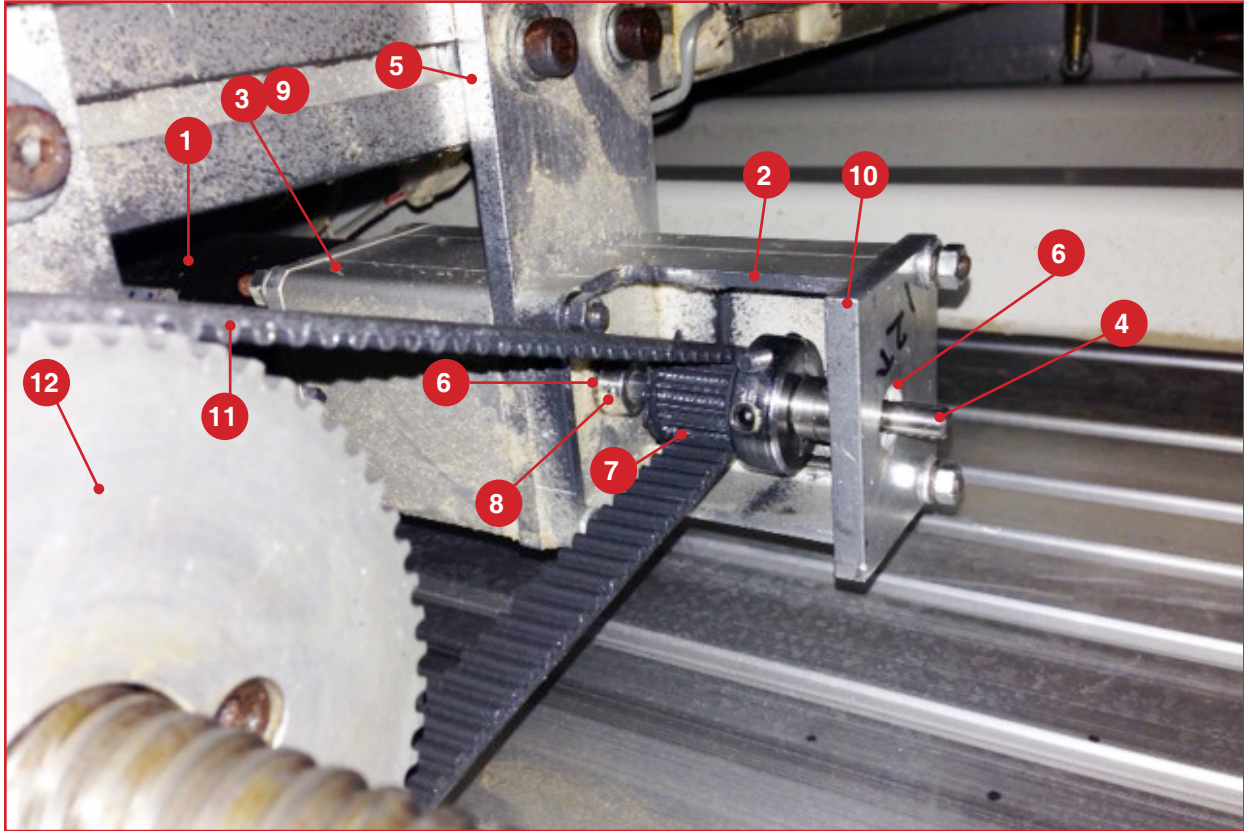


LC Low Powered / Standard Y Axis Drive Assembly



ITEM #	PART NUMBER	QTY	DESCRIPTION
1	HZ2600M0243600LA	1	Y Axis Servo Motor Assembly
2	HT5031-937-001	1	NEMA 23 Split spacer
3	HX5500M3473	1	Flex coupling
4	HS7X 1-08045A	1	Drive Shaft
5	HT5031-936-001	1	Motor Mount
6	HT8414-121A	2	Flanged Bearing
7	HS6A25-012DF 1508	1	Pulley 12T 5 mm, 1/4" SHT
8	HT8414-122	1	Collar
9	HL4700M681699-60	1	NEMA 23 Coupling spacer
10	HT5031-935-001	1	End Plate
11	HS6R25M100150	1	Belt 100T 15 mm
12	HT5031-926-001	1	Ball Nut Pulley Drive-TB322